



# LAWECO loading lift platforms

The perfect solution for a problem-free material flow



# Loading technology at the highest level

LAWECO loading lift platforms

**For loading processes, problem-free procedures are crucial.**

For this reason, designers and planners throughout the world rely on LAWECO loading lift platforms, which provide reliable optimum performance due to their sturdy design and unlimited functionality.







## Customised loading power

As the requirements of an ideal loading system are different in each company, every LAWECO loading lift platform is essentially a custom-made product. Each loading platform is precisely customised to meet the respective application requirements. Within the shortest possible time our specialists design an entire machine including a complete safety concept for your requirements.

## Appealing and reliable

You can count on the following: The customised LAWECO loading lift platforms are available at excellent value for money due to their modular design – with short delivery times and LAWECO's characteristic reliability. Of course, we will also handle delivery of excessively wide loads and special transports for you in an expert manner.

### LAWECO's safety characteristics:

- all-round safety contact rails on the top frame to protect against crushing
- lifting and lowering with deadman control
- maintenance supports with max. load bearing capacity
- pipe rupture protection in the event of a hose leak
- our lift platforms conform to the European Machinery Directive 2006/42/EC, manufactured according to DIN EN 1570-1:2012
- protection class: IP 54
- control voltage 24 Volt DC for all functions, incl. solenoid valve

## Ready for operation in no time at all

We like to keep installation times as short as possible. This is why we supply our loading lift platforms installation-ready with a complete installation package. The lift platforms can be connected immediately via CEE plugs. Of course, our expert personnel will carry out assembly and commissioning/start-up on request.

## Safety that you can rely on

The proven quality of LAWECO products guarantees the highest possible operational safety. It goes without saying that we always adhere to the highest and most recent safety and quality standards during construction of our loading lift platforms.



# Unlimited possibilities

## Use of LAWECO loading lift platforms

**Our loading lift platforms can handle a wide range of challenges.  
For example, they can be used for safe loading and unloading of vehicles.**

### Advantages

- ✓ individual heights
- ✓ different variations of loading bridges on the vehicle side
- ✓ hydraulic drive
- ✓ manual mode
- ✓ permits lateral movement
- ✓ low construction heights under large loads



LAWECO loading lift platforms have proven to be suitable for lifting and lowering goods – including vehicles – across great heights. A safety control system is included.

### Advantages

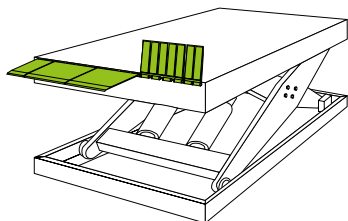
- ✓ great lifting heights under high loads (e.g. 8,900 mm stroke with 30 t)
- ✓ lifting platforms running in a shaft
- ✓ guide systems
- ✓ locking systems for securing while loading and unloading in extended positions
- ✓ automatic control systems with safety monitoring of the access points
- ✓ small platforms and large effective stroke
- ✓ lift platforms for transporting passenger cars
- ✓ high stability in extended position for loading and unloading
- ✓ high load bearing capacity of up to 100 t and more

### Benefit from LAWECO's unique hydraulic and control system design:

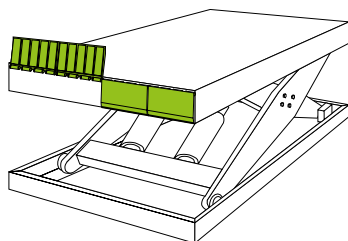
- use of customised components and / or brands possible
- consideration of project-specific requirements and ambient conditions
- high speeds
- gently approaches the limit positions
- valve technology for accessing additional components
- monitoring functions (temperature, filling quantities, etc.)
- reproduction of customised control processes and integration of safety-relevant components (e.g. door locking system) possible

# Top standards

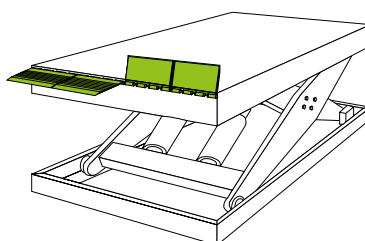
including accessories!



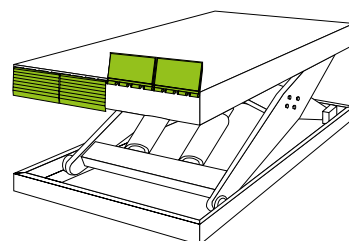
Loading bridge 15°, 15°, steel



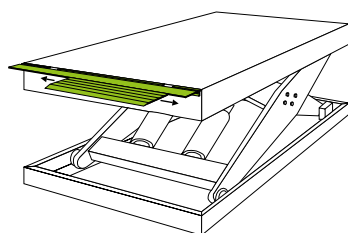
Loading bridge 15°, suspended, steel



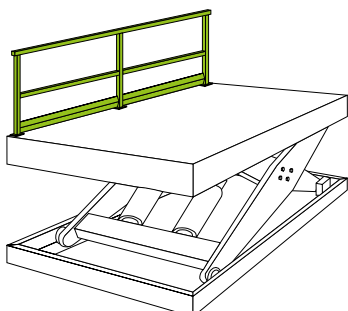
Loading bridge 15°, 15°, aluminium



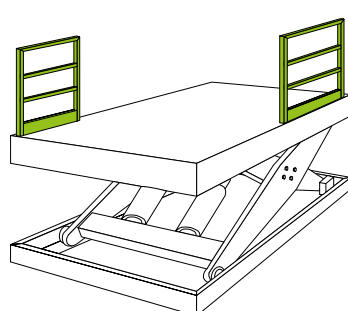
Loading bridge 15°, suspended, aluminium



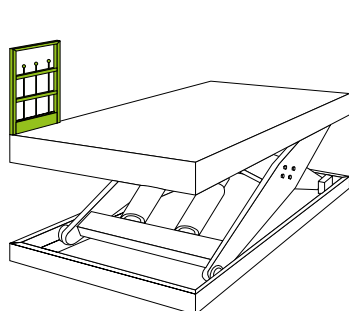
Loading bridge, sliding, aluminium



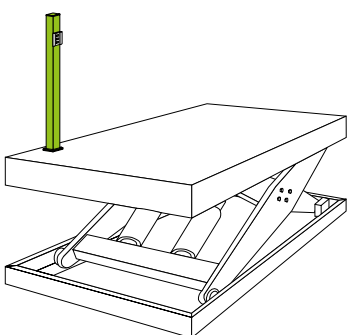
Fixed railing



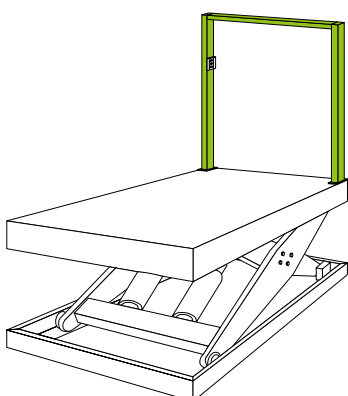
Plug-in railings



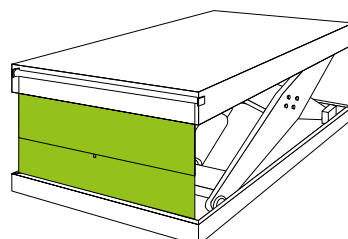
Plug-in control railings



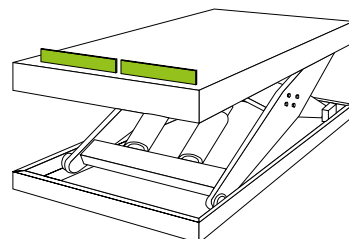
Control column



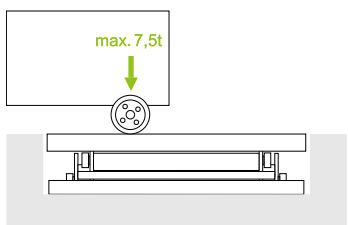
Gantry frame



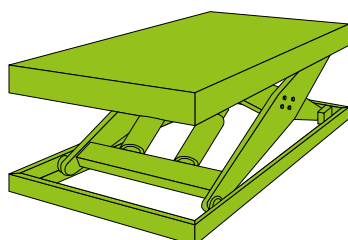
Protection against access from below



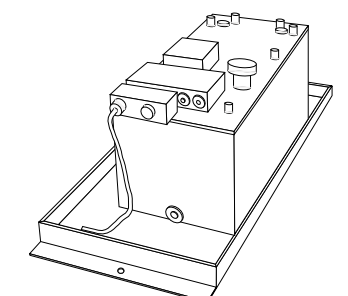
Mechanical roll-off protection



Wheel load 7.5 t



Hot galvanizing



Hydraulic group, external

# LAWECO – In good hands



**It is the sum total of details that makes LAWECO first choice – no matter which lifting solution is required.**

Put your trust in Europe's leading manufacturer of individual lifting solutions. In cutting edge technology, made in Germany, setting standards in precision, safety and functionality. In over 30 years of experience of our highly motivated and specialised team. In consistent customer and service orientation, reflected in the large proportion of repeat business and an extremely high level of satisfaction.

In special products tailored to your requirements right down to the last detail. And of course, in the proverbial Westphalian honesty and reliability that you can always depend on as our customer.

LAWECO  
Maschinen- und Apparatebau GmbH  
In der Tütenbeke 23  
32339 Espelkamp

Phone: +49 (0) 5772 / 202-0  
Fax: +49 (0) 5772 / 202-291  
E-mail: [info@laweco.de](mailto:info@laweco.de)

[www.laweco.de](http://www.laweco.de)